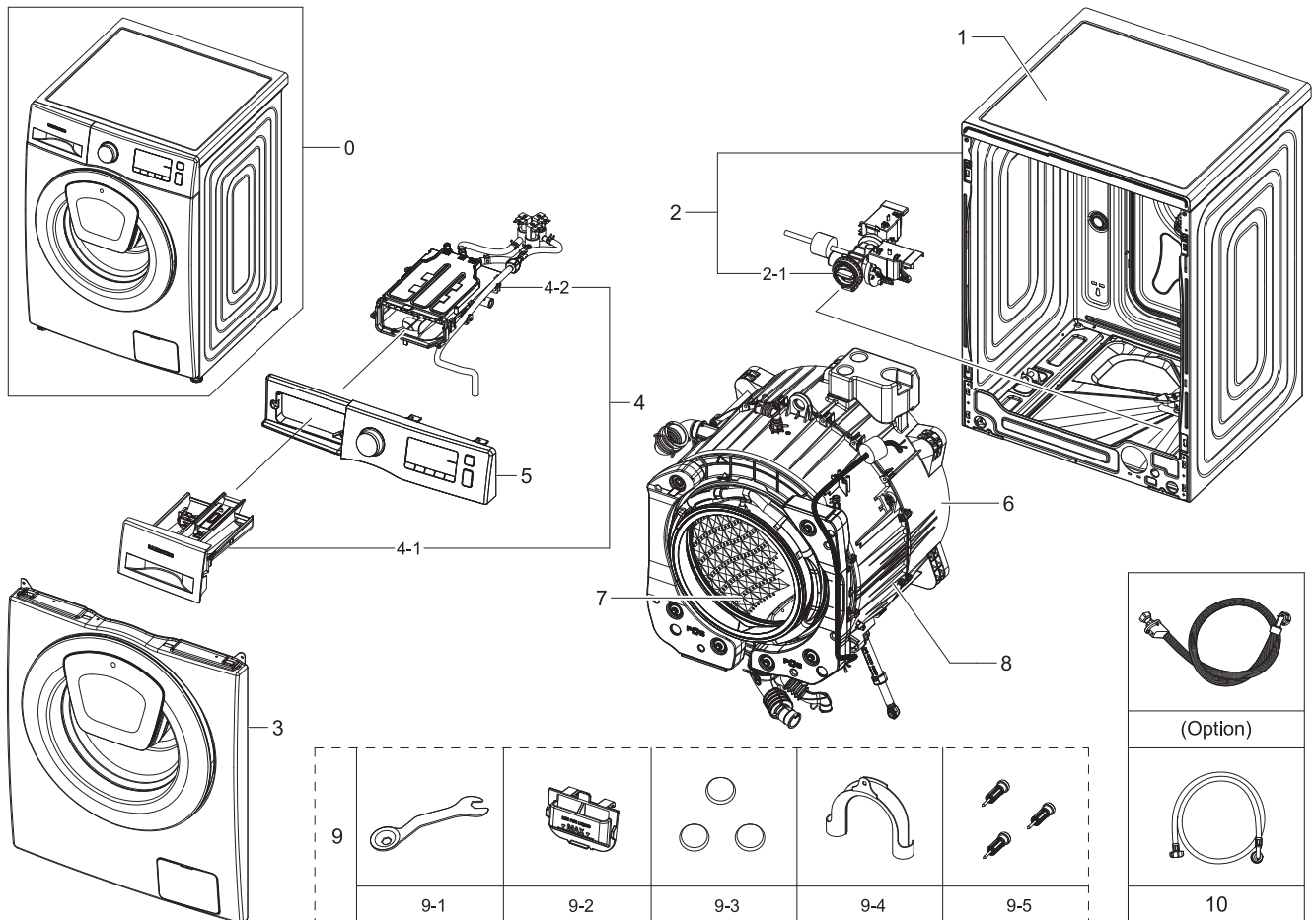


1. Main

Exploded View

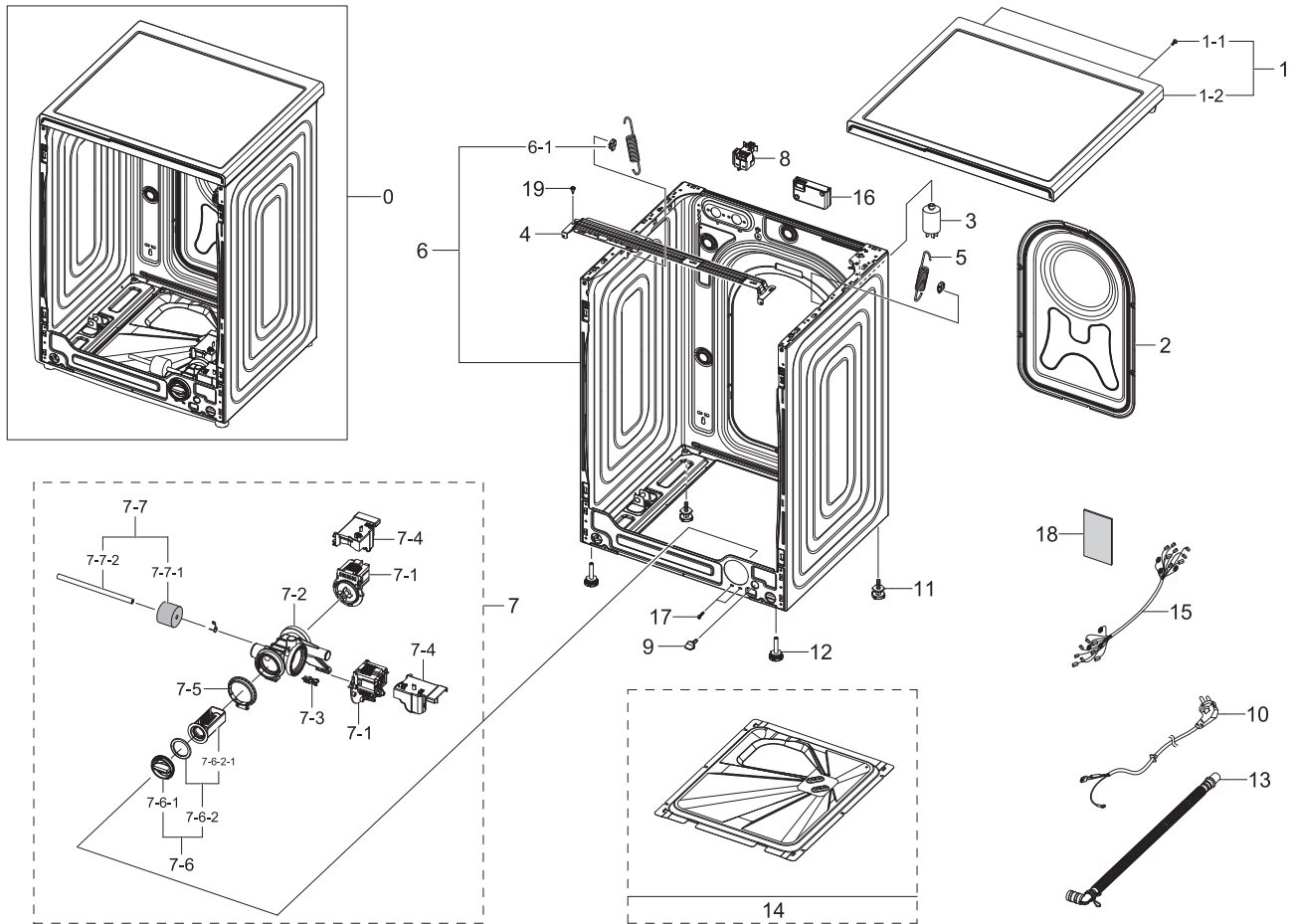


Parts List

No.	Lvl.	Loc.	Material Code	Description & Specification	SNA	Qty.
1	1	W0183	DC90-20218A	ASSY COVER TOP; WW3000,BUBBLE	SNA	1
2	1	W0506	DC90-21754A	ASSY FRAME; WW6500K,WW80K6410QW/EU	SNA	1
2-1	2	W0194	DC97-17336A	ASSY PUMP DRAIN; F500E,WF80F5E5U4W/EF,AL-	SA	1
3	1		DC90-21752A	ASSY FRONT; WW6500K,WW80K6410QW/EU	SNA	1
4	1	W0216	DC90-22104A	ASSY DRAWER; WW6500K	SNA	1
4-1	2	W0216	DC97-17310G	ASSY DRAWER; F500E,WF90F5E5U4W	SA	1
4-2	2	W0163	DC97-19387A	ASSY HOUSING DRAWER; WW6500K	SNA	1
5	1	W0478	DC90-21928A	ASSY PANEL CONTROL; WW90K6414QW/EC	SNA	1
6	1	W0501	DC90-17262A	ASSY TUB BACK; DIM, NO CERAMIC	SNA	1
7	1	W0165	DC90-12363A	ASSY DRUM; F500E,WF80F5E5U4W/EF	SNA	1
8	1	G0048	DC90-18412A	ASSY TUB FRONT; WW6000J	SNA	1
9	1	W0718	DC90-12364A	ASSY ACCESSORY; F500E,WF80F5E5U4W/EF	SNA	1
9-1	2	WJ5077	DC60-40146A	BOLT SPANER; CR,T2.5	SA	1

2. Assy Frame&Cover Parts

Exploded View

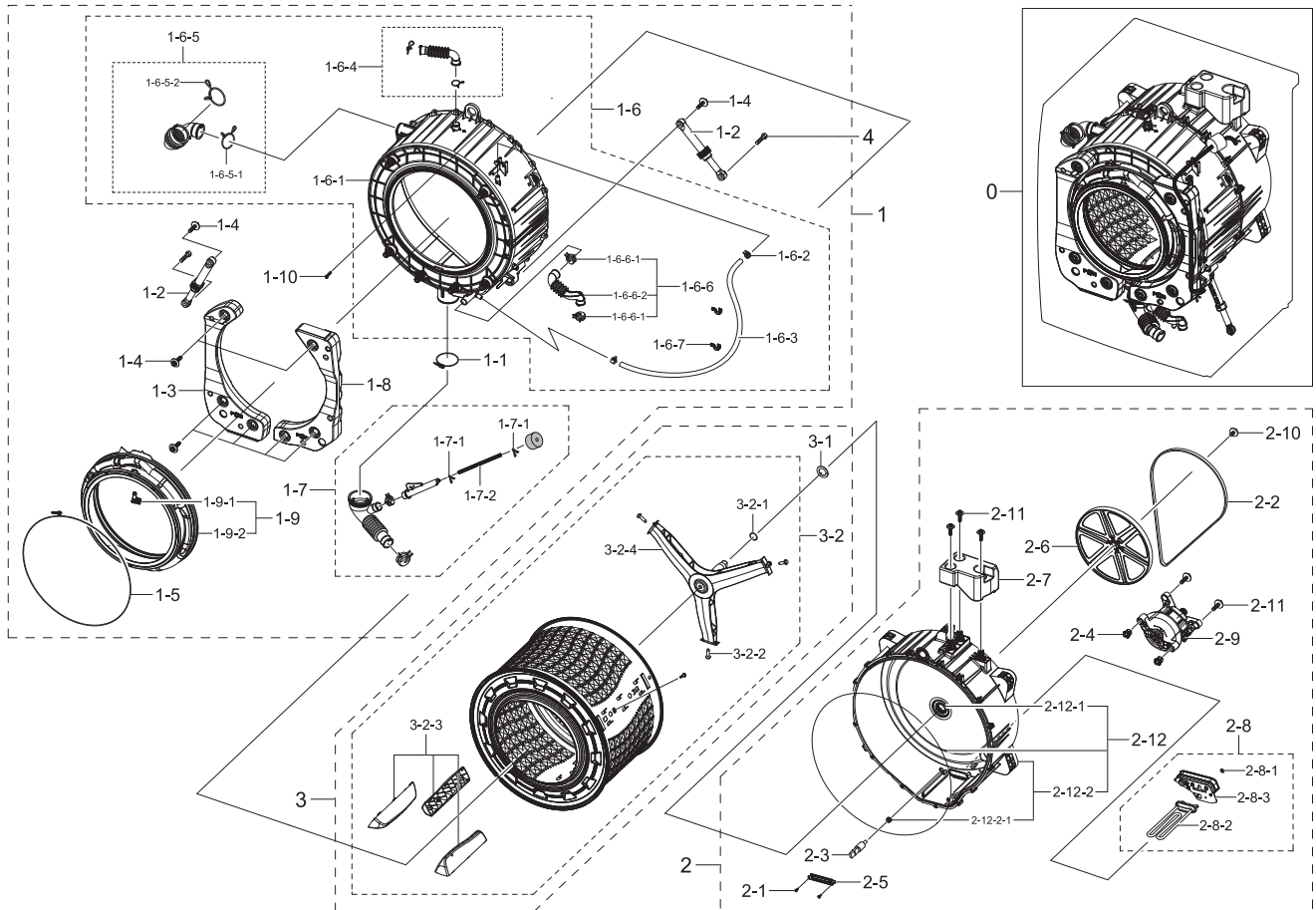


Parts List

No.	Lvl.	Loc.	Material Code	Description & Specification	SNA	Qty.
1	1	W0183	DC90-20218A	ASSY COVER TOP; WW3000,BUBBLE	SNA	1
1-1	2	W0105	6002-001438	SCREW-TAPPING; HWH,+,NO,1,M5,L12,ZPC(WHT)	SA	2
1-2	2	W0183	DC97-17254E	ASSY COVER TOP; WW3000, 7kg	SA	1
2	2		DC63-01034C	COVER BACK; GI-SGCC,T0.25, embo	SA	1
3	2	W0620	DC29-00015G	FILTER EMI; LFT-215G,300Khz,VDE, KS,6.5mH	SA	1
4	2	W0248	DC61-03467A	FRAME PLATE-UP; WF-F500E,GI-SGCC,-,-,T1.0	SNA	1
5	2	W0630	DC61-02146B	SPRING ETC-HANGER; F500E PJT,HSWR,CD3.5,O	SA	2
6	2	W0506	DC97-17325E	ASSY FRAME; F500E,DA WHITE,COLD,UNI	SA	1
6-1	3	WI0266	DC61-02065A	GUIDE SPRING; WF448AAG/XXA,POM,T4,W24,L36	SA	2
7	2	W0194	DC97-17336A	ASSY PUMP DRAIN; F500E,WF80F5E5U4W/EF,AL-	SA	1
7-1	3	M0022	DC31-00030H	PUMP-DRAIN; 220V-240V,50Hz,30W,18L/min	SA	2

3. Assy Tub&Drum

Exploded View

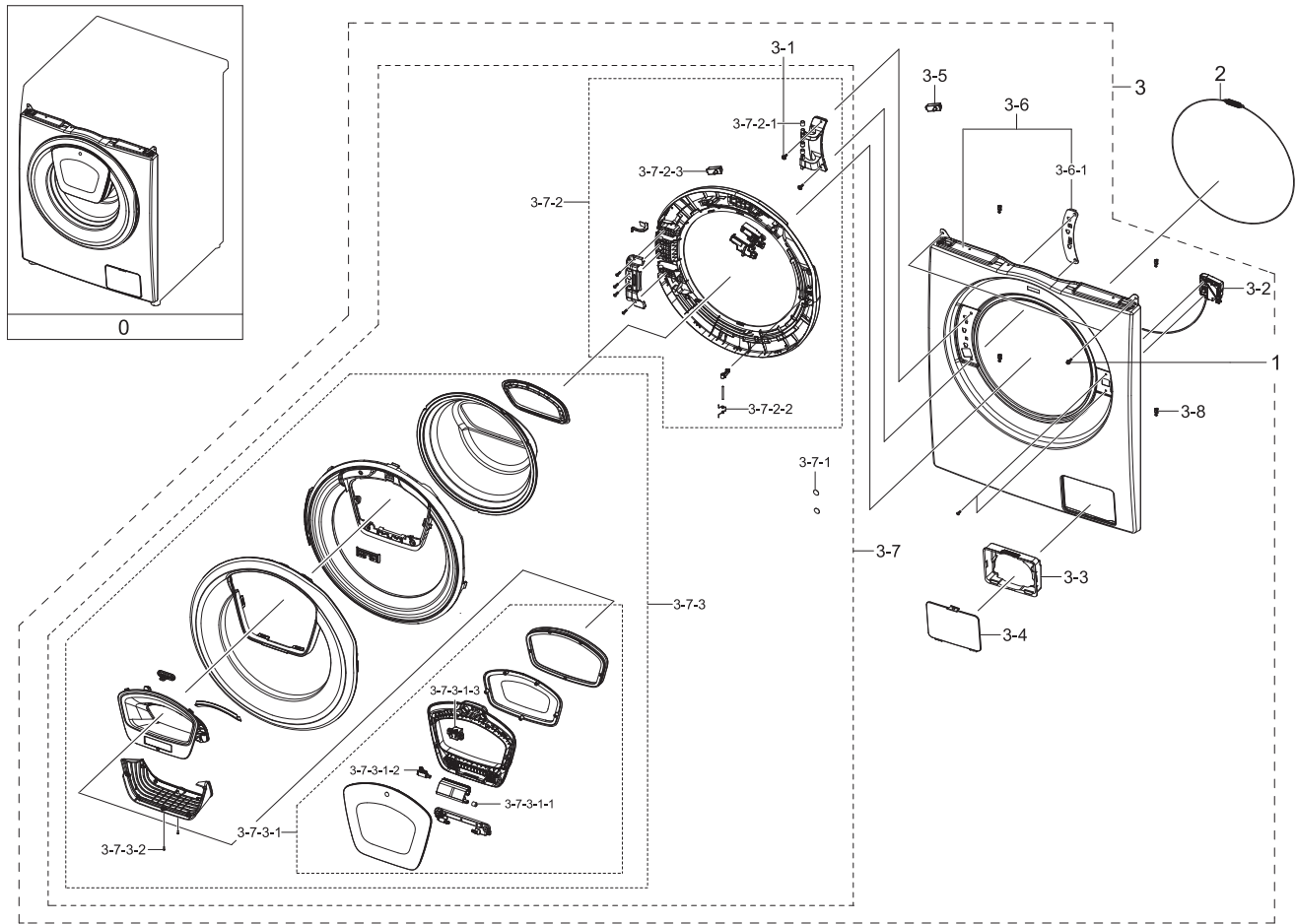


Parts List

No.	Lvl.	Loc.	Material Code	Description & Specification	SNA	Qty.
1	1	G0048	DC90-18412A	ASSY TUB FRONT; WW6000J	SNA	1
1-1	2	W0744	DC65-00021A	CLAMPER HOSE-JOINT; HEBA PJT,HSWR-SWRH,ID	SA	1
1-2	2	W0618	DC66-00531C	DAMPER SHOCK; HEBA,PP,WHITE,80 20N,LONG	SA	2
1-3	2	W0233	DC67-00682A	WEIGHT BALANCER-LEFT; F500,CONCRETE,NATUR	SA	1
1-4	2	W0601	DC97-14263A	ASSY BOLT; MOTOR/BOLT(M8)+WASHER(OD27.5),	SA	8
1-5	2	M0038	DC97-14618A	ASSY CLAMP DIAPHRAGM; WF8804DP,OD2.0/L124	SA	1
1-6	2	W0636	DC97-17327A	ASSY SEMI TUB FRONT; F500E,WF80F5E5U4W/EF	SNA	1
1-6-1	3	W0632	DC61-03453A	TUB FRONT; F500,FRPP,OD 546.1,NTR,BUBBLE	SA	1

4. Assy Front

Exploded View

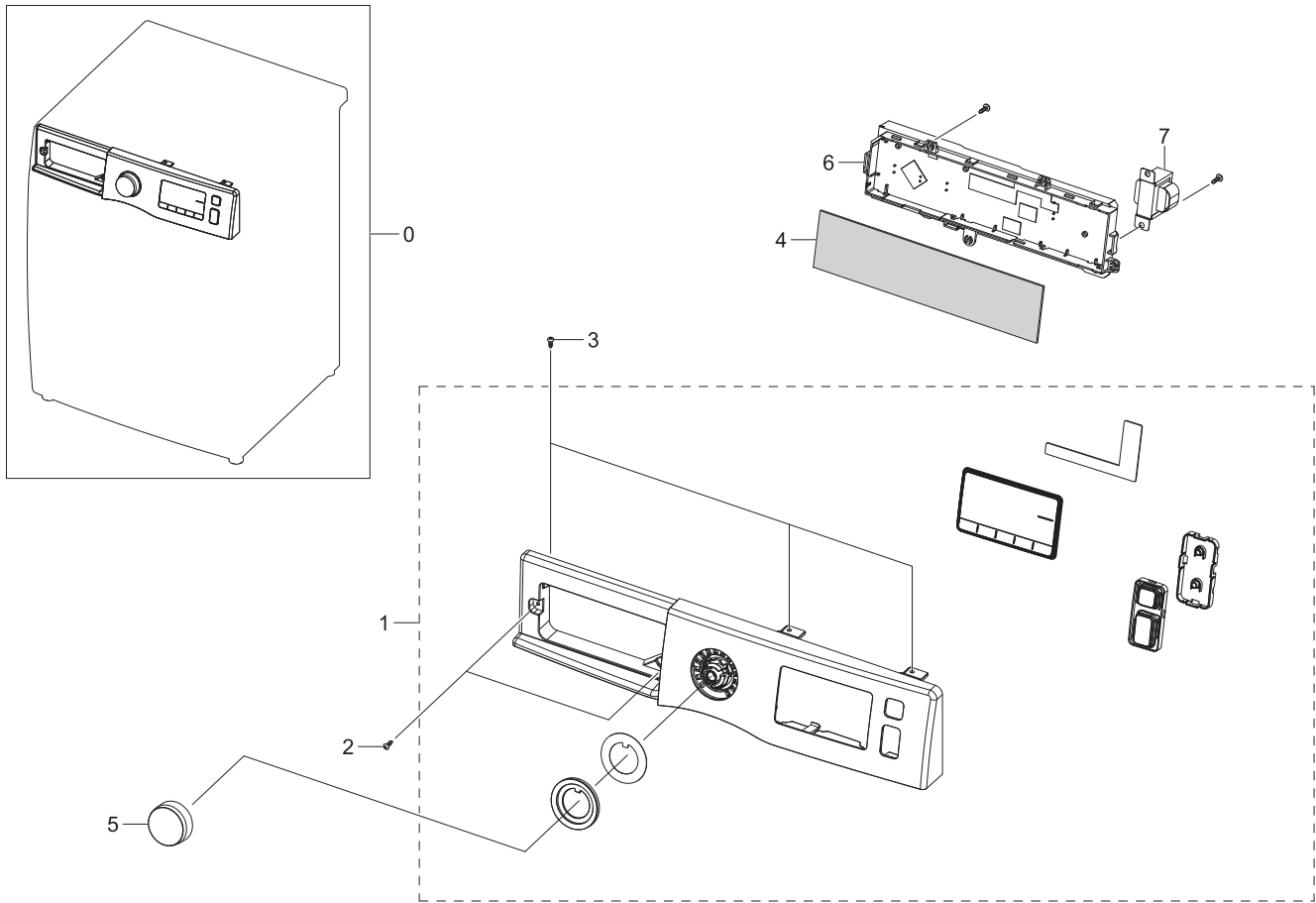


Parts List

No.	Lvl.	Loc.	Material Code	Description & Specification	SNA	Qty.
0	1		DC90-21752A	ASSY FRONT; WW6500K,WW80K6410QW/EU	SNA	1
1	2	W0105	6002-001438	SCREW-TAPPING; HWH,+ ,NO,1,M5,L12,ZPC(WHT)	SA	2
2	2	W0608	DC91-12078D	ASSY WIRE DIAPHRAGM; HEBA-PJT,-,-,-,-,-	SA	1
3	2	W0253	DC97-19350A	ASSY FRAME FRONT; WW6500K,DA WHITE, (Door	SNA	1
3-1	3	G0425	6009-001522	SCREW-HEX; HWH,+ ,M5,L16,PASS,STS430,FP,SE	SA	2
3-2	3		DC34-00026A	SWITCH DOOR LOCK; AC250V,16,SOLNOID, DOOR	SA	1
3-3	3	WI0248	DC61-01917A	GUIDE FILTER; WF8804DP,HIPS,T2.5,HB,HG-17	SA	1
3-4	3	W0516	DC63-00920A	COVER-FILTER; WF8500NHW,ABS,T2.5,-,-,DA WHI	SA	1

5. Assy Panel Control

Exploded View

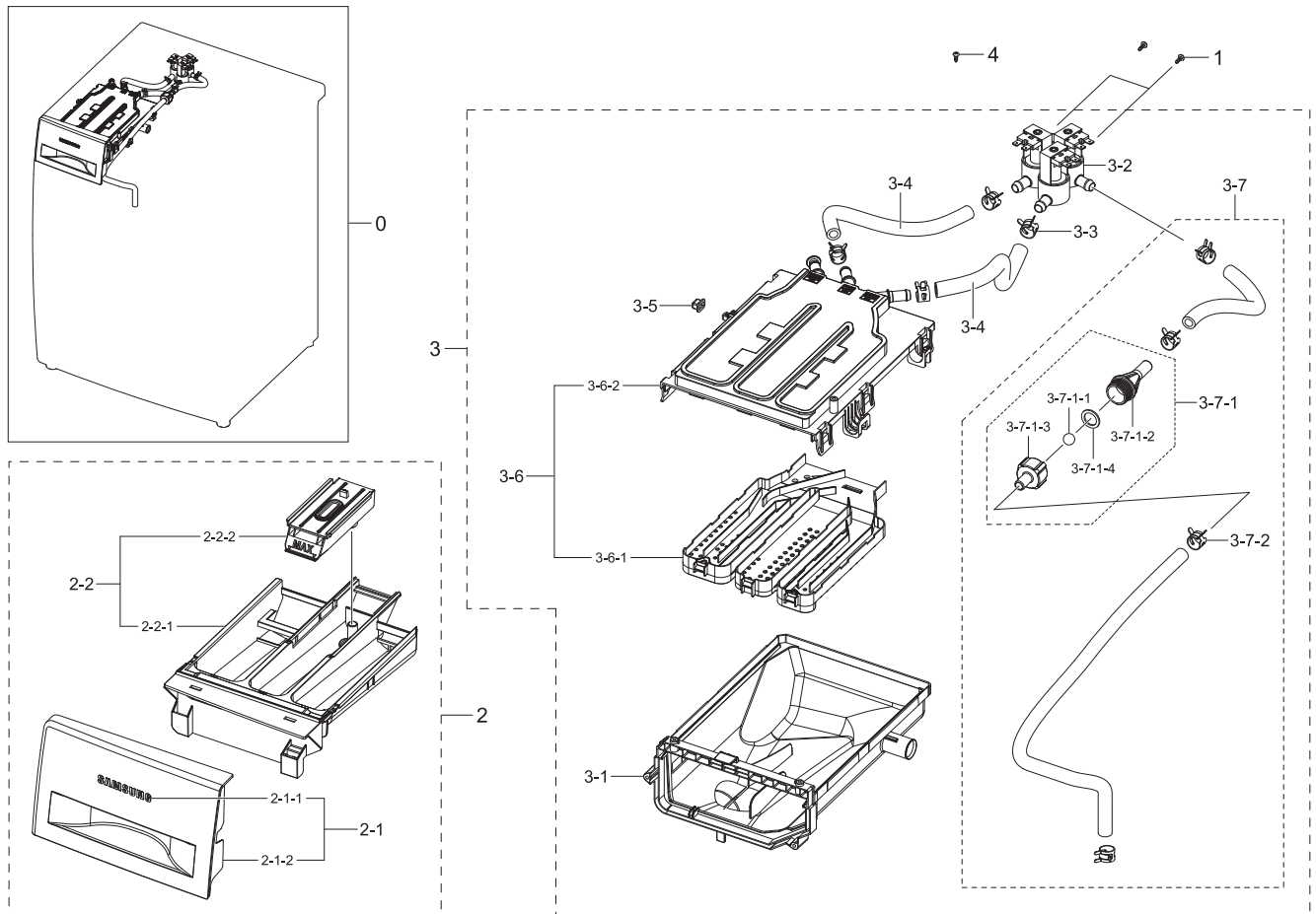


Parts List

No.	Lvl.	Loc.	Material Code	Description & Specification	SNA	Qty.
0	1	W0478	DC90-21928A	ASSY PANEL CONTROL; WW90K6414QW/EC	SNA	1
1	2	W0478	DC97-19370P	ASSY PANEL CONTROL; WW6500K,WW90K6414QW/E	SA	1
2	2	W0105	6002-000445	SCREW-TAPPING; TH,+,NO,2S,M4,L18,PASS,STS	SNA	2
3	2	WX0441	6002-000520	SCREW-TAPPING; TH,+,-,2,M4,L12,ZPC(WHT),S	SNA	16
4	2		DC63-01829B	SHEET PCB; WW3000~6000,PC,T0.2,HB,3022R,B	SNA	1
5	2		DC64-03312B	KNOB ENCODER; F500E,ABS,EBONY BLACK,BK001	SA	1
6	2		DC94-06480B	ASSY PCB EEPROM; 0409,WW6500K,SEPM, F500,	SNA	1
7	2		DC27-00012A	COIL HARMONIC; 4.5mH,40*69*39,3A	SA	1

6. Assy Drawer

Exploded View



Parts List

No.	Lvl.	Loc.	Material Code	Description & Specification	SNA	Qty.
0	1	W0216	DC90-22104A	ASSY DRAWER; WW6500K	SNA	1
1	2	F0056	6003-001768	SCREW-TAPTYPE; TH,+,WT,S,M4,L10,ZPC(WHT),	SNA	2
2	2	W0216	DC97-17310G	ASSY DRAWER; F500E,WF90F5E5U4W	SA	1
2-1	3	W0158	DC97-19193A	ASSY PANEL DRAWER; F500E,DIM	SA	1
2-1-1	4	M0196	DA64-03804A	MASCOT; ALL,NICKEL,T0.05,L65	SA	1
2-1-2	4		DC64-02858G	PANEL DRAWER; WF90F5E5U4W,ABS,-,HG-0760GP	SA	1
2-2	3	W0216	DC97-19194A	ASSY DRAWER; F500E,Body Drawer+Cap Rinse	SA	1
2-2-1	4	W0156	DC61-03480A	BODY DRAWER; WF-F500E,PP,DA WHITE,WT0035,	SA	1
2-2-2	4	W0215	DC67-00669A	CAP RINSE; WF-F500E,PP,-,-,MT43,Honesty B	SA	1
3	2	W0163	DC97-19387A	ASSY HOUSING DRAWER; WW6500K	SNA	1
3-1	3	W0372	DC61-03473A	HOUSING DRAWER-LOW; WF-F500E,PP,-,WHITE,-	SA	1